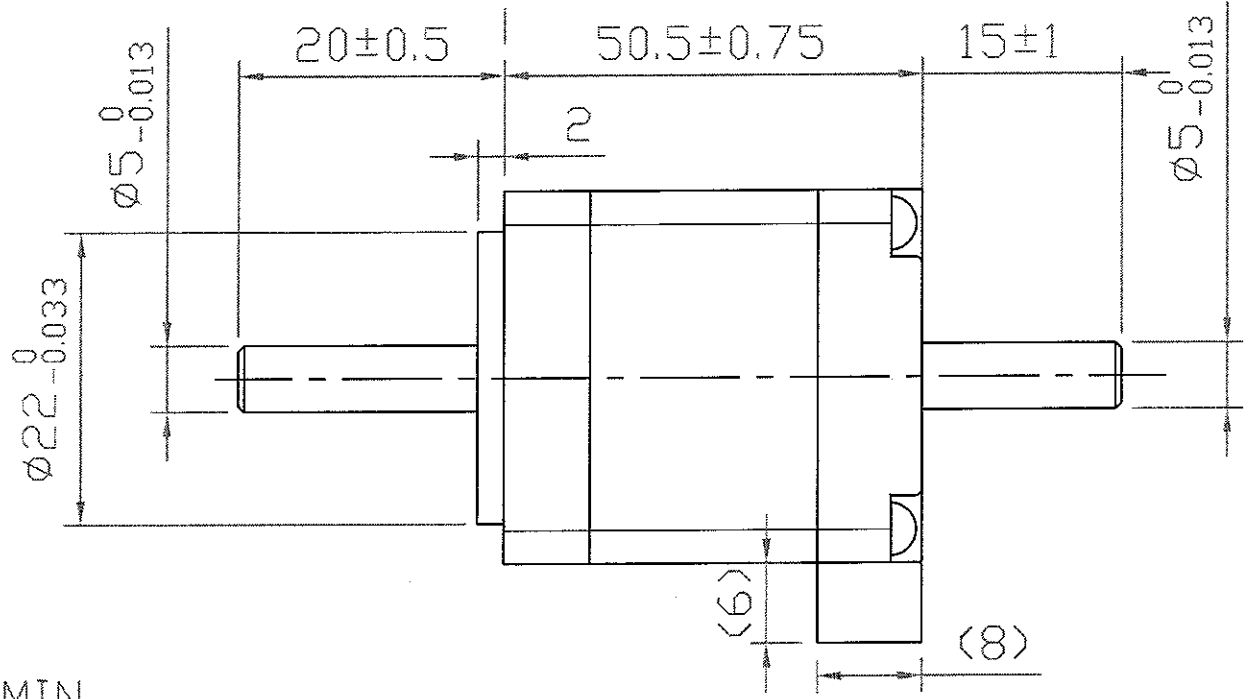
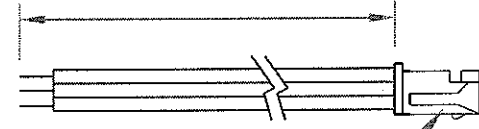


(4)-M2.5  
3.5 DEEP MIN



UL1061 AWG 24 305+25



(MOLEX:51065-0600 OR EQUIVALENT)