



TSB 13 SERIES

SPECIFICATION

1 (kgf · cm) = 0.0980665 (N · m) 1 (gf · cm · s²) = 0.980665 (kg · cm²)

Item / Motor Type		Unit	TSB13551A	TSB13102A	TSB13102B	TSB13152A	TSB13152B
Rated Output	PR	W	550	1000	1000	1500	1500
Driver Set			TSTA20C	TSTA30C	TSTA30C	TSTA50D	TSTA50D
Rated Terminal Voltage	VT	V	162.3	188.7	185.3	194.4	189.1
Rated Torque	TR	N · m	5.252	9.545	4.782	14.327	7.164
Rated Current	IR	A	3.43	5.16	5.16	7.45	7.57
Rated Speed	NR	rpm	1000	1000	2000	1000	2000
Peak Torque	TP (N)	N · m	15.758	28.645	14.327	42.963	21.492
Peak Current	IP	A	10.3	15.5	15.5	22.35	22.71
Torque Constant	KT	N · m/A	1.679	2.039	1.019	2.26	1.06
Voltage Constant	KE	V/k rpm	175.9	213.6	106.8	236.6	108.7
Rotor Inertia	JM	kg · cm ²	6.26	12.14	6.26	17.92	8.88
Resistance	Ra	Ω	5.37	2.78	1.82	1.785	1.185
Inductance	La	mH	27.5	18.21	10.05	12.66	7.11
Mechanical Time Constant	Tm	ms	1.21	0.82	1.11	0.454	1.02
Electrical Time Constant	te	ms	5.12	6.55	5.52	7.092	6
Weight		kgf	6.47	10.16	6.47	13.87	8.08
Insulation Class			B class (130°C)				
BRAKE	Rated Voltage	V	VDC 24V ± 10%				
	Static Rubbing Torque	N · m	15	15	15	15	15
	Inertia	kg · cm ²	0.725	0.725	0.725	0.725	0.725
	Consume Current	A	1	1	1	1	1
	Weight	kgf	1.7	1.7	1.7	1.7	1.7
Ambient Temperature		°C	0~40				

● To customize motors, please contact with us or our agent.

1 (kgf · cm) = 0.0980665 (N · m) 1 (gf · cm · s²) = 0.980665 (kg · cm²)

Item / Motor Type		Unit	TSB13152C	TSB13202B	TSB13302B	TSB13302C
Rated Output	P _R	W	1500	2000	3000	3000
Driver Set			TSTA50D	TSTA50D	TSTA75D	TSTA75D
Rated Terminal Voltage	V _T	V	200.3	205.4	189.4	199.7
Rated Torque	T _R	N · m	4.782	9.545	14.327	9.545
Rated Current	I _R	A	7.06	9.18	14	14
Rated Speed	N _R	rpm	3000	2000	2000	3000
Peak Torque	T _P (N)	N · m	14.327	28.645	42.963	28.645
Peak Current	I _P	A	21.2	27.5	42	42
Torque Constant	K _T	N · m/A	0.74	1.139	1.13	0.75
Voltage Constant	K _E	V/k rpm	77.5	119.4	118.3	78.5
Inertia	J _M	kg · cm ²	6.26	12.14	17.92	12.14
Resistance	R _a	Ω	0.98	0.86	0.5	0.37
Inductance	L _a	mH	5.37	5.67	3.54	2.43
Mechanical Time Constant	T _m	ms	1.14	0.81	0.71	0.81
Electrical Time Constant	T _E	ms	5.48	6.59	7.08	6.57
Weight		kgf	6.47	10.16	13.87	10.16
Insulation Class			B class (130°C)			
BRAKE	Rated Voltage	V	VDC 24V ± 10%			
	Static Rubbing Torque	N · m	30	30	30	30
	Inertia	kg · cm ²	0.725	0.725	0.725	0.725
	Consume Current	A	0.816	0.816	0.816	0.816
	Weight	kgf	1.1	1.1	1.1	1.1
Ambient Temperature		°C	0~40			

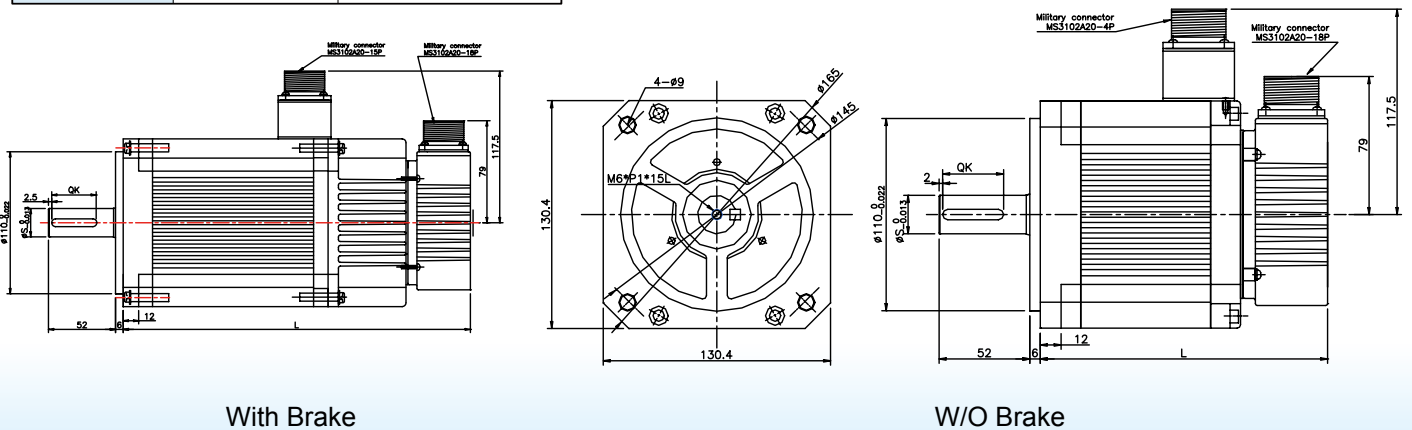
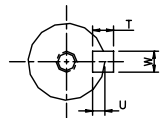
● To customize motors, please contact with us or our agent.

DIMENSION

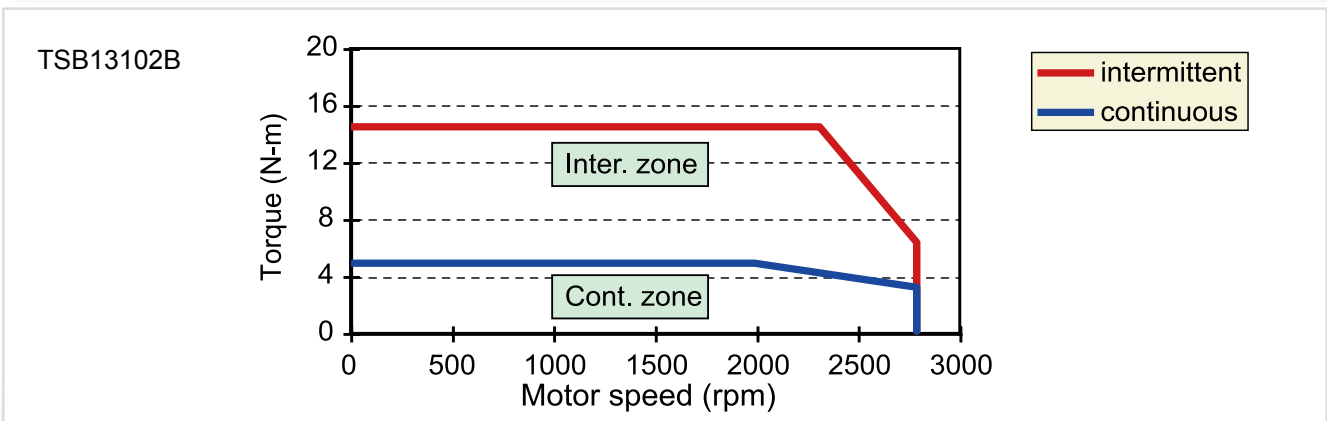
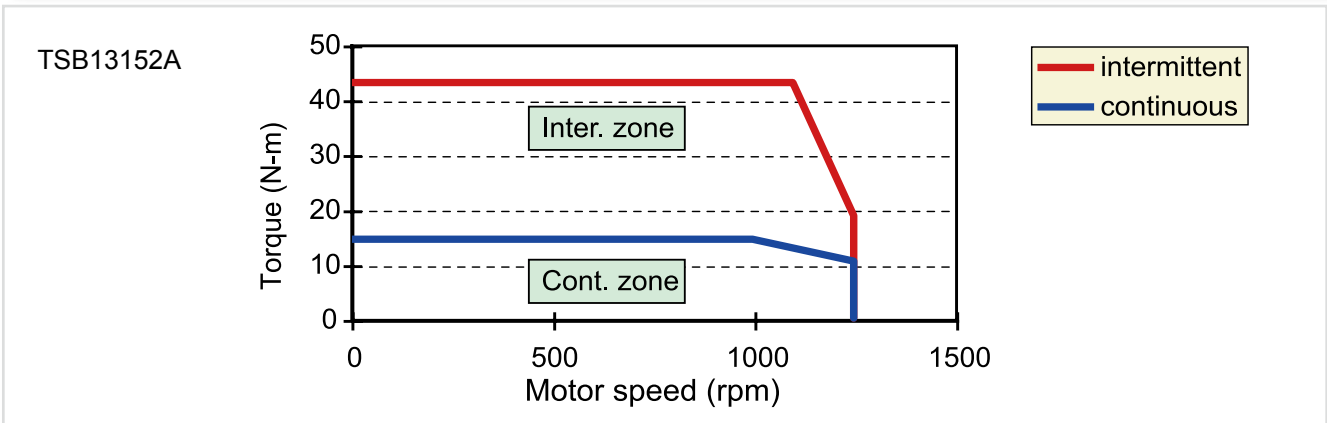
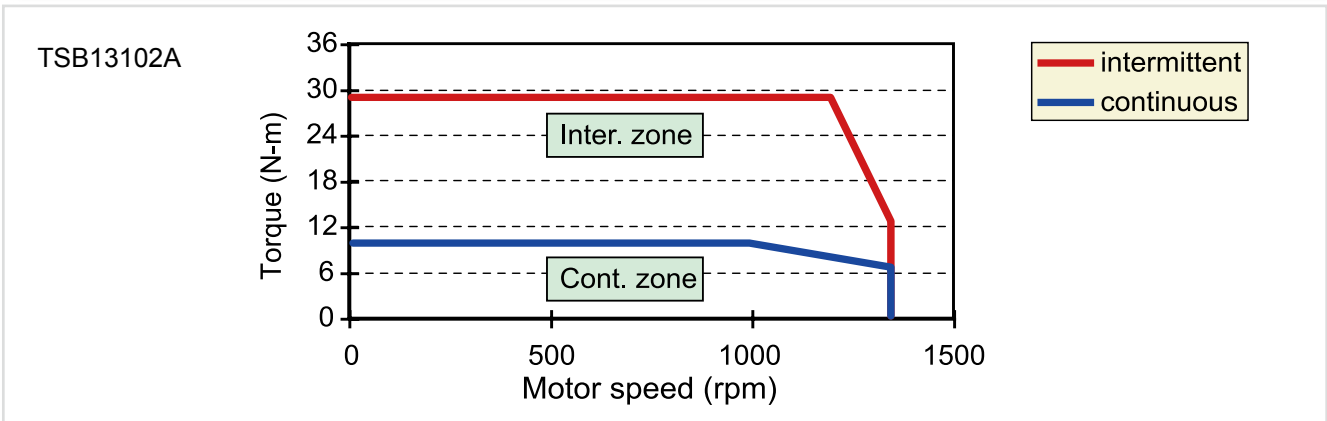
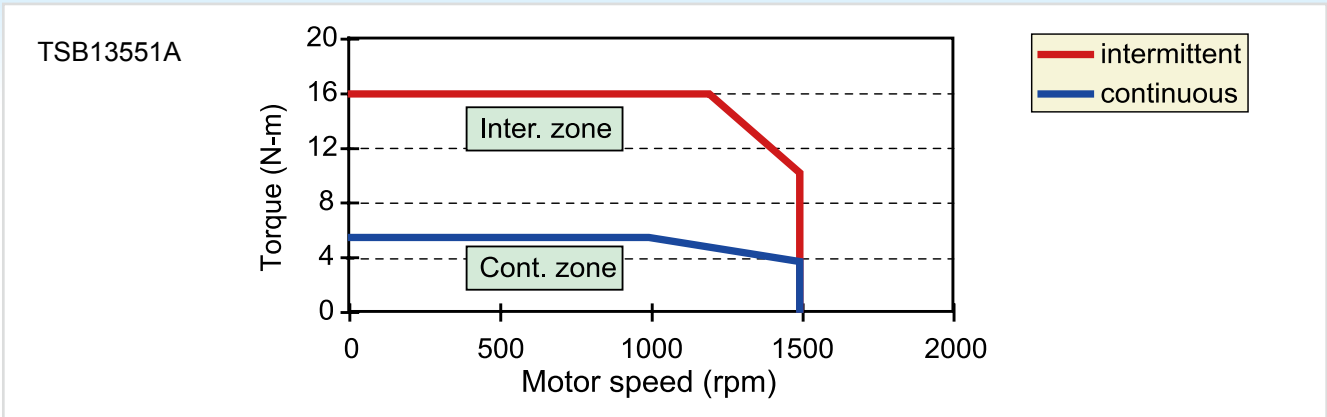
Motor Type	With Brake	Without Brake
	L (mm)	L (mm)
TSB13551A	219.3	164.8
TSB13102A	269.3	214.8
TSB13152A	319.3	264.8
TSB13102B	219.3	164.8
TSB13152B	239.3	184.8
TSB13202B	269.3	214.8
TSB13302B	319.3	264.8
TSB13152C	219.3	164.8
TSB13302C	269.3	214.8

Dimension of Shaft and Key Size

	S	QK	U	W	T
Option 1	22	36	3.5	6	6
Option 2	24	35	4	8	7



PERFORMANCE CURVE



PERFORMANCE CURVE

